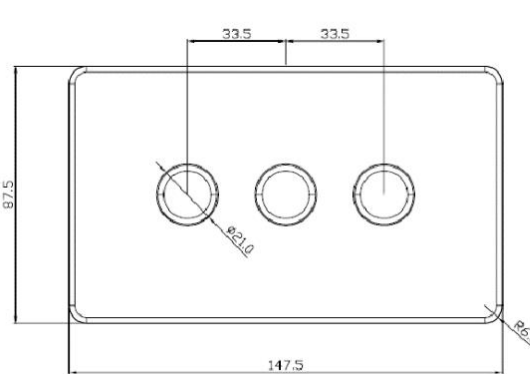
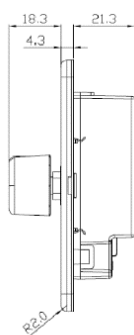
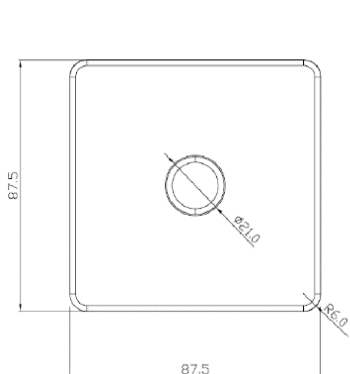


**Screwless 2-Way Brushed Chrome Dimmers**



Push on/push off control. Advanced trailing edge type dimmer suitable for dimming all types of lamps both resistive and inductive. Minimum capacity: 5W dimmable LED or 10W incandescent. Maximum capacity: 150W dimmable LED or 200W incandescent. Suitable for mains lighting, low voltage lighting and LED lighting (for compatibility please check with lamp manufacturer).

MLA part code	SF2181BC	SF2182BC	SF2183BC	SF2184BC
Description	Screwless 1G 2 way dimmer	Screwless 2G 2 way dimmer	Screwless 3G 2 way dimmer	Screwless 4G 2 way dimmer
Finish	Brushed chrome			
Nett weight (kg)	0.189	0.239	0.382	0.436
Maximum wattage (W)	GLS / LV Halogen / Mains GU10 – 10W – 200W LED – 5W – 150W			
Dimensions (mm)	Height – 87.5 Width – 87.5 Projection – 4.3	Height – 87.5 Width – 87.5 Projection – 4.3	Height – 87.5 Width – 148.5 Projection – 4.3	Height – 87.5 Width – 148.5 Projection – 4.3
Input voltage	Mains 230V 50Hz			
Construction	Premium grade steel			
Minimum mounting depth	25mm			
Insulation class	Class I			
IP rating	IP20			
Warranty	3 Years			
Origin of Manufacture	China			
Declaration of Conformity (held on file)	Yes			
Manufactured in accordance with	BS EN 60669-2			
EAN	5055832979616	5055832979623	5055832979692	5055832979746



**DATA SHEET:**

**SF2181BC/SF2182BC/SF2183BC/SF2184BC**

**Knightsbridge**<sup>®</sup>  
the mark of quality

ISSUE: SBJAN18VOL1



ML Accessories Ltd. reserves the right to withdraw, improve or modify any design without prior notification.  
ML Accessories Ltd. cannot be held responsible for the incorrect application of any product.