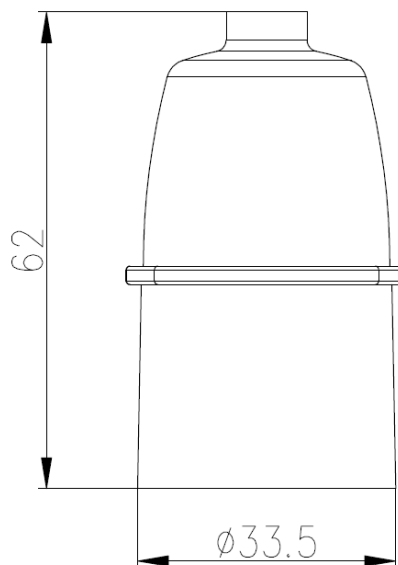


### T2 BC cord grip lampholder



Cord grip style unswitched lampholder. T2 rated (max. 100W) with bayonet fitting.

Dimensions (mm)	33.5 (diameter) x 62 (overall length)
Net. Weight (kg)	0.04
Voltage	230V
Load	100W (T2)
IP rating	IP20
Lamp base	Bayonet (B22)
Terminal capacity	2 x 1.0mm <sup>2</sup> or 2 x 1.5mm <sup>2</sup>
Standard	BS 3676: 1989
Warranty	1 year
Construction	Thermoset resin
Origin of manufacture	China
Quality Assurance System	ISO9001
Declaration of Conformity (held on file)	Yes
Unit barcode (EAN-13)	505559107736

