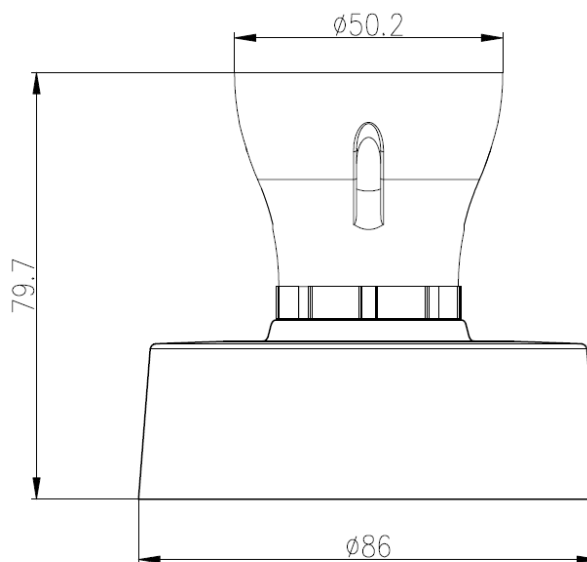


T2 H0 batten holder with ceiling rose base



H0 batten holder with ceiling rose base. Easy to fit. T2 rated (max. 100W) with bayonet fitting.

Dimensions (mm)	86 (diameter) x 79.7 (overall length)
Net. Weight (kg)	0.1
Voltage	230V
Load	100W
IP rating	IP20
Lamp base	Bayonet (B22)
Terminal capacity	2 x 1.0mm ² or 2 x 1.5mm ²
Standard	BS 3676: 1989
Warranty	1 year
Construction	Thermoset resin
Origin of manufacture	China
Quality Assurance System	ISO9001
Declaration of Conformity (held on file)	Yes
Unit barcode (EAN-13)	5055559114239

