

Aria Quiet 100

Everyday ventilation



KEY FEATURES

- Axial extractor fan
- Ventilation up to 97 m³/hr
- Quiet operation– noise levels just 25 dB(A)
- Basic, Timer, Humidity Timer, Motion Sensor Timer versions available
- Wall and ceiling mounting
- Low power consumption of 7.5 W
- IP45 rated, can be installed in Zones 1 and 2
- Complies with Building Regulations Approved Document F
- 2 year warranty



Aria Quiet 100

The Aria Quiet 100 is an innovative, low energy axial fan and is perfect for those looking for an effective extract fan that fully complies with Building Regulations Approved Document F. Aria Quiet corresponds to an unobtrusive, cost-effective extractor fan for homeowners and an easy to install unit for installers.

The Aria Quiet's flexible design can adapt to your needs, as it can be easily mounted on the wall or ceilings of bathrooms, en-suites, toilets, shower rooms and other residential premises.

The Aria Quiet 100 range is subtle when it's installed thanks to its compact and neat design. The high ingress protection rating gives the Aria Quiet an ideal feature to be fitted in a wet room. This fan range is a perfect solution for bathroom ventilation, it has a ball-bearing motor which guarantees the long-term performance of the unit with low energy consumption. The Aria Quiet's axial impeller operates quietly to provide you with fresher, improved indoor air.



MODULES

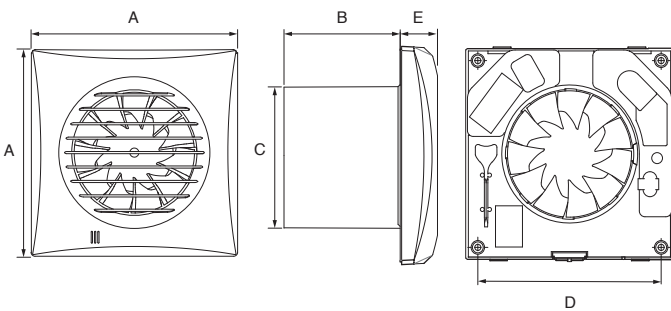
Basic	Control by Remote Switch
Timer	Timer can be set to run on between 2 and 30 minutes
Humidity Timer	Humidity sensor can be set between 60 – 90% RH
Motion Sensor Timer	PIR sensor activates fan



TECHNICAL DATA

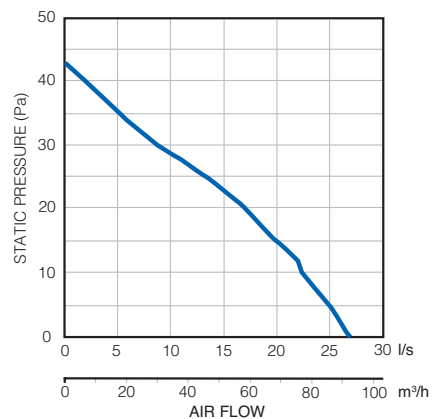
Specification	Aria Quiet 100B	Aria Quiet 100T	Aria Quiet 100HT	Aria Quiet 100MST
Air flow m ³ /hr / l/sec	97 / 26.9	97 / 26.9	97 / 26.9	97 / 26.9
Fan type	Axial	Axial	Axial	Axial
Controls	Basic	Timer	Humidity Timer	Motion Sensor Timer
Mounting	Wall / Ceiling	Wall / Ceiling	Wall / Ceiling	Wall / Ceiling
Sound Pressure dB(A) @ 3m	25	25	25	25
Power (W)	7.5	7.5	7.5	7.5
Amps	0.049	0.049	0.049	0.049
Specific Fan Power (W/l/sec)	0.27	0.27	0.27	0.27
Duct Diameter (mm)	100	100	100	100
Voltage (V)	230V / 1ph / 50-60Hz	230V / 1ph / 50-60Hz	230V / 1ph / 50-60Hz	230V / 1ph / 50-60Hz
IP Rating	IP45	IP45	IP45	IP45
Material Finish	Plastic	Plastic	Plastic	Plastic
Weight (kg)	0.55	0.55	0.55	0.55
Dimensions (h x w x d) (mm)	155 x 155 x 81	155 x 155 x 81	155 x 155 x 81	155 x 155 x 81
Part number	90001047	90001048	90001050	90001051

DIMENSIONS (mm)



Model	A	B	C	D	E
Aria Quiet 100	155	81	100	136	26

PERFORMANCE



CONTROLS AND ACCESSORIES

A range of accessories including flexible and rigid ducting kits, controls, switches and grilles are available.

See accessories section for more details.

Call: 01494 525252

Visit: airflow.com



Airflow Developments Limited
Aidelle House, Lancaster Road,
Cressex Business Park,
High Wycombe, Buckinghamshire,
United Kingdom, HP12 3QP

E-mail: info@airflow.com
Telephone: +44 (0) 1494 525252

airflow.com

© Airflow Developments Limited. Airflow Developments Limited reserve the right, in the interests of continuous development, to alter specifications without prior notice. All orders are accepted subject to our conditions of sale which are available on request



80000951 - Issue 1 07/19