

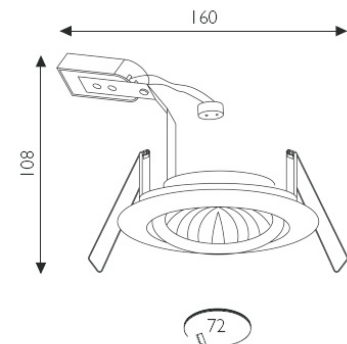
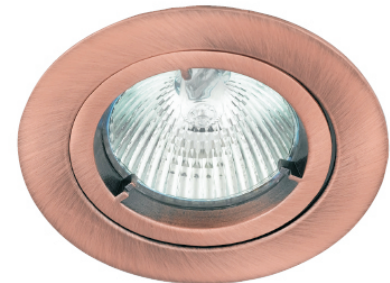
Data Sheet

Twistlock Die-Cast Downlights

Twistlock MR16 / GU10 50W Die-Cast Downlight

Supplied Less Lamp

- Supplied with low voltage and GU10 lampholders
- Permanent earth on stirrup bracket for GU10 mains earthing
- Available in 9 colours



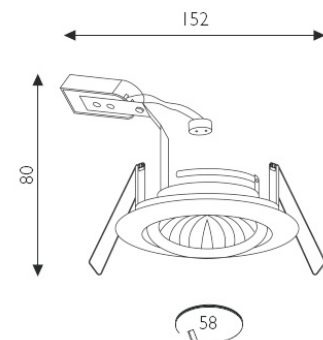
Code	Lamp Type	Description	Weight(kg)
ATLD/W	MR16 or GU10	50W - White	0.20
ATLD/BR	MR16 or GU10	50W - Brass	0.20
ATLD/CH	MR16 or GU10	50W - Chrome	0.20
ATLD/SC	MR16 or GU10	50W - Satin Chrome	0.20
ATLD/PN	MR16 or GU10	50W - Pearl Nickel	0.20
ATLD/BC	MR16 or GU10	50W - Brushed Copper	0.20
ATLD/AB	MR16 or GU10	50W - Antique Brass	0.20
ATLD/BB	MR16 or GU10	50W - Brushed Brass	0.20
ATLD/BLC	MR16 or GU10	50W - Black Chrome	0.20



Twistlock MR11 35W Die-Cast Downlight

Supplied Less Lamp

- 35mm Low Voltage Downlight
- Available in 4 colours



Code	Lamp Type	Description	Weight(kg)
ATLVD/35/W	MR11	35W - White	0.19
ATLVD/35/BR	MR11	35W - Brass	0.19
ATLVD/35/CH	MR11	35W - Chrome	0.19
ATLVD/35/SC	MR11	35W - Satin Chrome	0.19



Accessories available - See data sheet - Twistlock Accessories