



OPTIMUM

## PRODUCT DATA SHEET

### OP-DFST

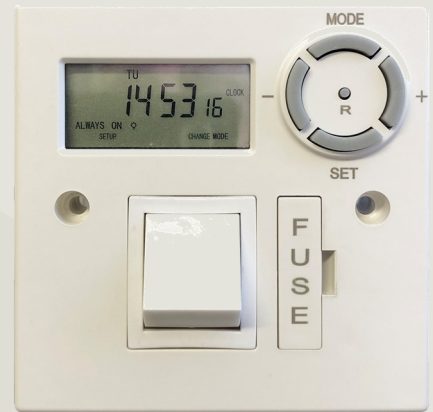
7 DAY FUSED SPUR TIMER

PATRESS BOX MOUNTING

DOUBLE-POLE ISOLATION

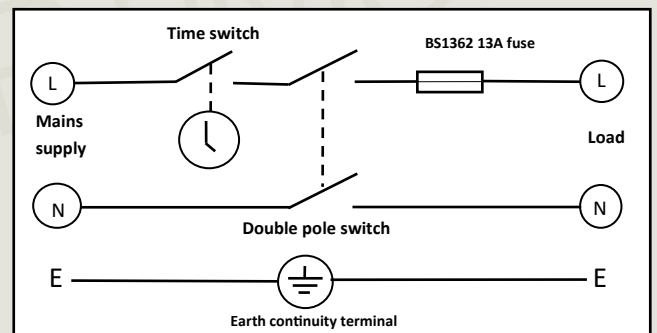
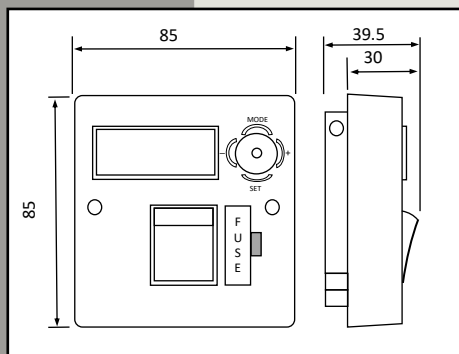
INTERNALLY-LINKED MAINS SWITCHING

200 HOUR RUNNING RESERVE



OP-DFST IS A DIGITAL FUSED-SPUR TIME SWITCH. THE TIMER IS SUITABLE FOR PATRESS BOX MOUNTING. THE 7 DAY PROGRAMMING LOGIC CONTROLS A MAINS-LINKED SWITCH, WITH A RESISTIVE RATING OF 13 AMPERES. THERE IS AN INBUILT RE-CHARGEABLE CELL TO KEEP THE TIMER RUNNING IN THE EVENT OF A LOSS OF MAINS POWER. THE OUTPUT CAN BE DISCONNECTED BY AN INTEGRATED DOUBLE-POLE ISOLATOR SWITCH; THE LOAD IS PROTECTED BY A REPLACEABLE BS1362 13 AMPERE CARTRIDGE FUSE, WITHIN A REMOVE-ABLE CADDY.

DIMENSIONS	85 X 85 x 30 (see drawing below)
CONNECTIONS	4 X WIRE-PROTECT SCREW TERMINALS
WEIGHT	150g
POWER CONSUMPTION	1vA @ 230V 50Hz
RESISTIVE LOAD	13 AMPERES
INDUCTIVE LOAD	2 AMPERES (cos $\phi$ 0.6)
MINIMUM LOAD	100mA @ 20v AC/DC
RUNNING RESERVE	200 HOURS
TEMPERATURE RATING	-20T55
ACCURACY	QUARTZ REGULATED (typically +/- 2.5 sec / day)
MINIMUM SWITCHING	1 MINUTE
PROGRAMME CAPACITY	24 ON/OFF PROGRAMMES
MANUAL OVERRIDE	FIX ON / TIMED / FIX OFF / RANDOM



OPTIMUM

TFC GROUP LLP, TOWER HOUSE, VALE RISE, TONBRIDGE, KENT TN9 1TB

Tel: 01732 351680 [www.tfc-group.co.uk](http://www.tfc-group.co.uk)

Prepared for TFC Group by: J. Todd

Issue 1: Sept 2019

Page 1 of 1