

Outdoor motion detectors

LC-Click-N 200 UK 2.000 W



white mat, similar to
RAL9010, Part No. 93042

brown mat, similar to
RAL8014, Part No. 93052

black mat, similar to
RAL9005, Part No. 93062

Product Information

- Motion detector with 200° detection area and 180° anti-creep zone
- Can be mounted on standard flush-mount boxes
- Adjustable ball head
- Detection area can be restricted with blinds
- Simple mounting thanks to plug base
- Zero crossing switching

Technical Data

Voltage:	110 - 240 V AC 50 / 60 Hz
Dimensions:	103 x 78 x 80 mm
Power consumption:	approx. 0.4 W
Detection area:	horizontal 200°
Range:	max. 12 m across max. 4 m towards max. 2 m anti-creep protection
Monitored area (tangential movement):	209 m ² / 2.5 m mounting height
Mounting height min./max./recommended:	2 m / 3 m / 2.5 m

Degree / class of protection: IP54 / Class II

Ambient temperature: -25 °C to +50 °C

Housing: Polycarbonate, UV-resistant

Channel 1 (lighting control)

Switching power: 2000 W, $\cos \varphi = 1$
1000 VA, $\cos \varphi = 0.5$
200 W LED

Type of contact: 1x μ -contact, NO contact

Follow-up time: 4 sec - 20 min

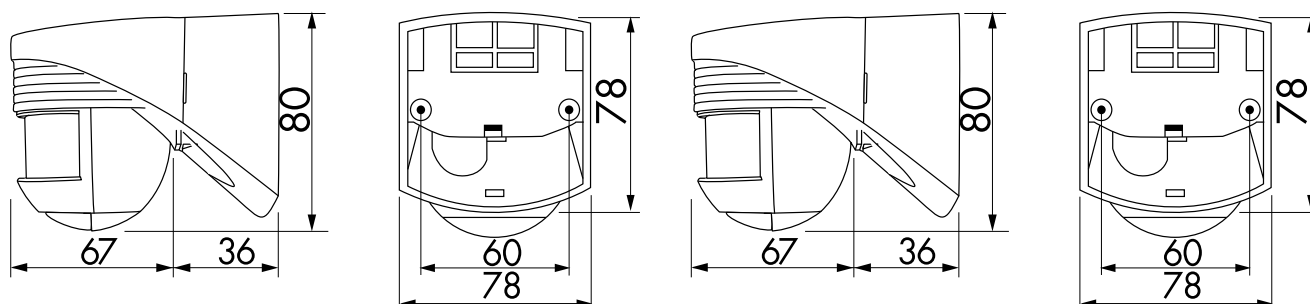
Switch-on threshold: 2 - 2000 Lux

Description

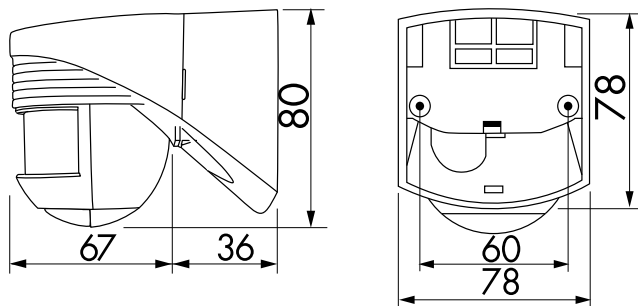
Description	Colour	Part number	EAN number
LC-Click-N 200 UK 2.000 W	white mat, similar to RAL9010	93042	4007529930425
LC-Click-N 200 UK 2.000 W	brown mat, similar to RAL8014	93052	4007529930524
LC-Click-N 200 UK 2.000 W	black mat, similar to RAL9005	93062	4007529930623

Accessory

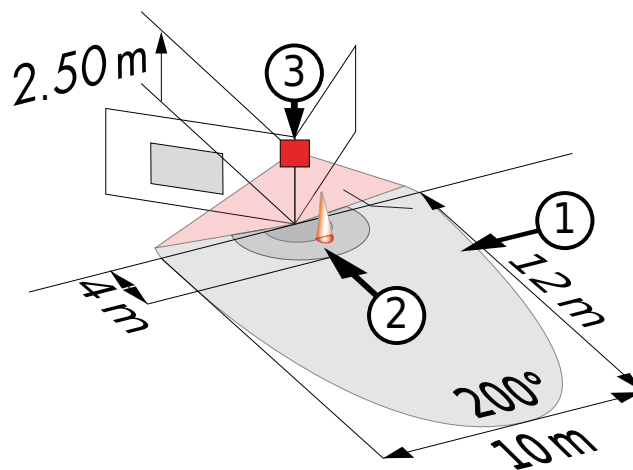
Description	Colour	Part number	EAN number
Wire basket BSK (Ø 164 x 143 mm)	white	92467	4007529924677
RC-Arc extinction kit	white	10880	4007529108800
Mini-RC-Arc extinction kit	black	10882	4007529108824



Dimensions 93062



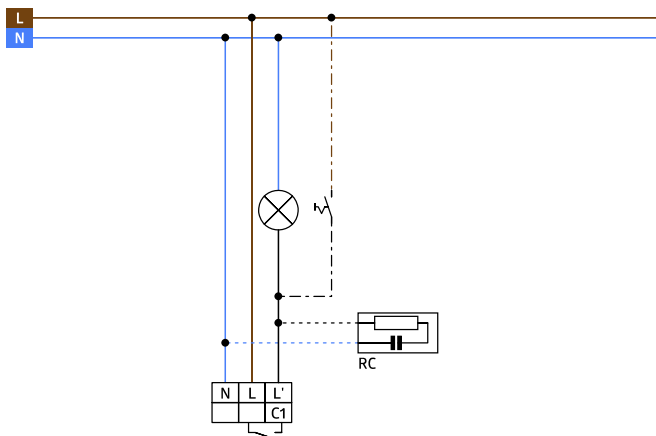
Dimensions 93052



Dimensions 93042

Range diagram

- 1: Walking across
- 2: Walking towards
- 3: Anti-creep zone



Wiring diagrams