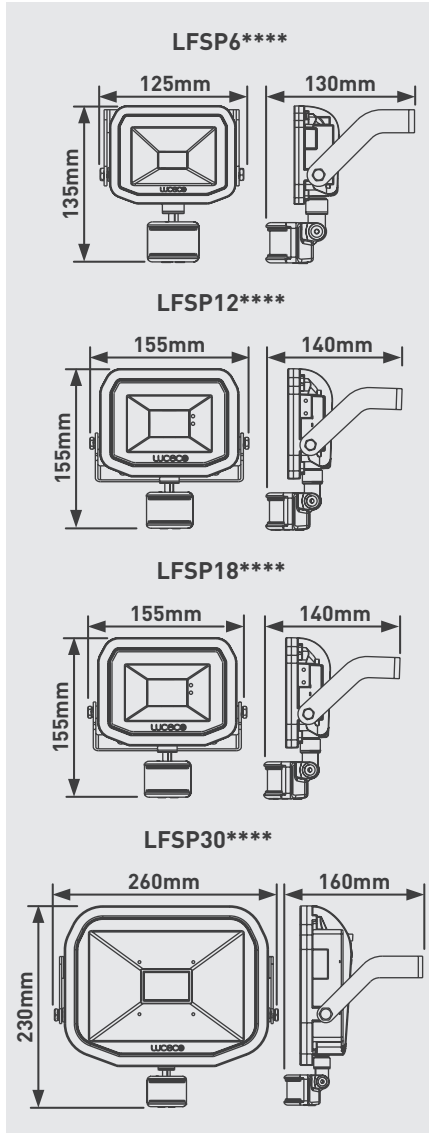


SLIMLINE GUARDIAN FLOODLIGHTS

- Slimline Guardian Floodlights with PIR, ideal for domestic outdoor lighting. With override function it allows "Dusk till Dawn" for light all night
- Offering a range to cover all existing halogen floodlights
- 10m max detection range, adjustable time and lux, 8-10min and 2-2000lux
- Pre-wired 1m of H05RN-F rubber cable
- Instant 100% light output
- Unique 'fit and tilt' bracket for simple installation - two brackets supplied for column or wall mounting



600Lm (8W)

CAT NO.	LUMINAIRE LUMENS	WATTAGE	EFFICACY Llm/W	COLOUR TEMP.	FINISH	EQUIVALENT WATTAGE
LFSP6B130-02	600	8W	75	3000K	Black	100W
LFSP6W130-02	600	8W	75	3000K	White	100W
LFSP6B150-02	600	8W	75	5000K	Black	100W
LFSP6W150-02	600	8W	75	5000K	White	100W

1200Lm (15W)

CAT NO.	LUMINAIRE LUMENS	WATTAGE	EFFICACY Llm/W	COLOUR TEMP.	FINISH	EQUIVALENT WATTAGE
LFSP12B130-02	1200	15W	80	3000K	Black	200W
LFSP12W130-02	1200	15W	80	3000K	White	200W
LFSP12B150-02	1200	15W	80	5000K	Black	200W
LFSP12W150-02	1200	15W	80	5000K	White	200W

1800Lm (22W)

CAT NO.	LUMINAIRE LUMENS	WATTAGE	EFFICACY Llm/W	COLOUR TEMP.	FINISH	EQUIVALENT WATTAGE
LFSP18B130-02	1800	22W	80	3000K	Black	300W
LFSP18W130-02	1800	22W	80	3000K	White	300W
LFSP18B150-02	1800	22W	80	5000K	Black	300W
LFSP18W150-02	1800	22W	80	5000K	White	300W

3000Lm (38W)

CAT NO.	LUMINAIRE LUMENS	WATTAGE	EFFICACY Llm/W	COLOUR TEMP.	FINISH	EQUIVALENT WATTAGE
LFSP30B130-02	3000	38W	80	3000K	Black	500W
LFSP30B150-02	3000	38W	80	5000K	Black	500W

	LENGTH / DIA (mm)	WIDTH (mm)	HEIGHT / DEPTH (mm)	WEIGHT (kg)	L FIXING CENTRES (mm)	W FIXING CENTRES (mm)	CEILING CUTOUT (mm)	LUMINAIRE LUMENS (Llm)	LUMINAIRE WATTAGE (W)	EFFICACY (Llm/W)	CCT (K)	CRI	UGR	IP RATED	IK RATED	GLOW WIRE (°C)	HOUSING COLOUR	TEMP RANGE (°C)	RATED LIFE (HR)	AMBIENT TEMP. RATED LIFE (°C)	L AT RATED LIFE	B AT RATED LIFE	VOLTAGE RANGE	FREQUENCY	EMERGENCY PACK CODE	WARRANTY (YEARS)
LFSP6B130-02	85	125	70	0.8	N/A	N/A	N/A	600	8	75	3000	>80	N/A	IP65	IK08	N/A	Black	-20 to +25	30,000	25	70	10	220-240V	50hz	N/A	2
LFSP6W130-02	85	125	70	0.8	N/A	N/A	N/A	600	8	75	3000	>80	N/A	IP65	IK08	N/A	White	-20 to +25	30,000	25	70	10	220-240V	50hz	N/A	2
LFSP6B150-02	85	125	70	0.8	N/A	N/A	N/A	600	8	75	5000	>80	N/A	IP65	IK08	N/A	Black	-20 to +25	30,000	25	70	10	220-240V	50hz	N/A	2
LFSP6W150-02	85	125	70	0.8	N/A	N/A	N/A	600	8	75	5000	>80	N/A	IP65	IK08	N/A	White	-20 to +25	30,000	25	70	10	220-240V	50hz	N/A	2
LFSP12B130-02	105	155	80	1	N/A	N/A	N/A	1200	15	80	3000	>80	N/A	IP65	IK08	N/A	Black	-20 to +25	30,000	25	70	10	220-240V	50hz	N/A	2
LFSP12W130-02	105	155	80	1	N/A	N/A	N/A	1200	15	80	3000	>80	N/A	IP65	IK08	N/A	White	-20 to +25	30,000	25	70	10	220-240V	50hz	N/A	2
LFSP12B150-02	105	155	80	1	N/A	N/A	N/A	1200	15	80	5000	>80	N/A	IP65	IK08	N/A	Black	-20 to +25	30,000	25	70	10	220-240V	50hz	N/A	2
LFSP12W150-02	105	155	80	1	N/A	N/A	N/A	1200	15	80	5000	>80	N/A	IP65	IK08	N/A	White	-20 to +25	30,000	25	70	10	220-240V	50hz	N/A	2
LFSP18B130-02	105	155	80	1	N/A	N/A	N/A	1800	22	80	3000	>80	N/A	IP65	IK08	N/A	Black	-20 to +25	30,000	25	70	10	220-240V	50hz	N/A	2
LFSP18W130-02	105	155	80	1	N/A	N/A	N/A	1800	22	80	3000	>80	N/A	IP65	IK08	N/A	White	-20 to +25	30,000	25	70	10	220-240V	50hz	N/A	2
LFSP18B150-02	105	155	80	1	N/A	N/A	N/A	1800	22	80	5000	>80	N/A	IP65	IK08	N/A	Black	-20 to +25	30,000	25	70	10	220-240V	50hz	N/A	2
LFSP18W150-02	105	155	80	1	N/A	N/A	N/A	1800	22	80	5000	>80	N/A	IP65	IK08	N/A	White	-20 to +25	30,000	25	70	10	220-240V	50hz	N/A	2
LFSP30B130-02	185	260	110	2.7	N/A	N/A	N/A	3000	38	80	3000	>80	N/A	IP65	IK08	N/A	Black	-20 to +25	30,000	25	70	10	220-240V	50hz	N/A	2
LFSP30B150-02	185	260	110	2.7	N/A	N/A	N/A	3000	38	80	5000	>80	N/A	IP65	IK08	N/A	Black	-20 to +25	30,000	25	70	10	220-240V	50hz	N/A	2

LFSP6B150

LUMINAIRE PERFORMANCE

Light Output Ratio: 100%
 Luminaire Efficacy: 76.59 lm/W
 Light Distribution: A50 ↓99.0% ↑1.0%
 CIE Flux Codes: 58 93 100 99 100

LFSP18W130

LUMINAIRE PERFORMANCE

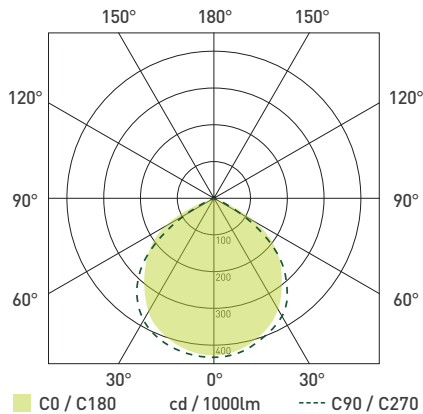
Light Output Ratio: 100%
 Luminaire Efficacy: 83.2 lm/W
 Light Distribution: A50 ↓98.9% ↑1.1%
 CIE Flux Codes: 58 93 100 99 100

LFSP30B130

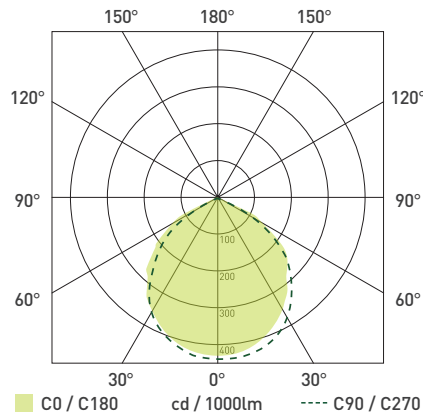
LUMINAIRE PERFORMANCE

Light Output Ratio: 100%
 Luminaire Efficacy: 79.51 lm/W
 Light Distribution: A50 ↓99.0% ↑1.0%
 CIE Flux Codes: 58 92 100 99 100

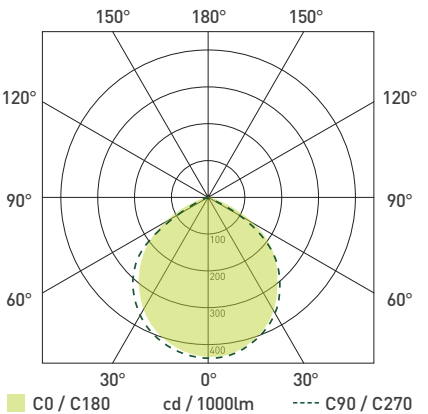
LUMINOUS INTENSITY



LUMINOUS INTENSITY



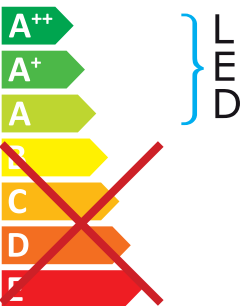
LUMINOUS INTENSITY



LUCECO



This luminaire contains built-in LED lamps.



LED

The lamps cannot be changed in the luminaire.

874/2012



STANDARDS

EN 60598-1	Luminaires - General requirements
EN 6059-2-5	Luminaires - Floodlights
EN 61347-1	Lamp controlgear - Part 1: General and safety requirements
EN 61347-2-13	Lamp controlgear - Part 2-13 : Particular requirements for d.c. or a.c. supplied electronic controlgear for LED modules
EN 55015	Limits and methods of measurement of radio disturbance characteristics of electrical lighting and similar equipment
EN 61547	Equipment for general lighting purposes - EMC immunity requirements
EN 61000-3-2	Electromagnetic compatibility (EMC) - Part 3-2: Limits - for harmonic current emissions
EN 62471	Photobiological safety of lamps and lamp systems
2002/96/EC	Waste Electrical & Electronic Equipment (WEEE)
2011/65/EU	Restriction of the use of certain Hazardous Substances in EEE (RoHS)
[EC] No 1907/2006	The Registration, Evaluation, Authorisation and Restriction of Chemicals (REACH)

Note: For Outdoor Use Only, to be used for downward illumination only

