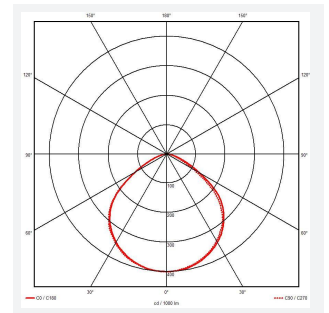
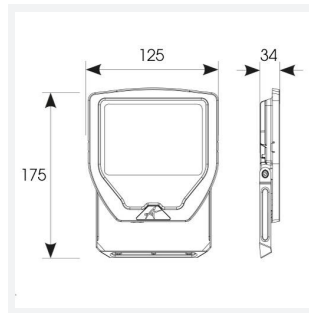
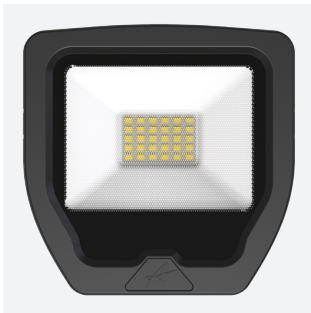


Calinor EVO

Calinor EVO Floodlight Cool White 20W Black
Code: ACAE20/1/CW/B

| | |
|---------------|-----------------------------------------|
| Category | Floodlights |
| Application | Commercial, Industrial, Outdoor, Retail |
| Specification | Performance |



PRODUCT FEATURES

- Compact, slim and robust designed LED floodlight suitable for residential and commercial applications
- Toughened microprism glass for visual comfort, uniformity and durability
- Pre-wired with 1 metre of rubber insulated cable for ease of installation and easy integration with Floodbox accessory
- Polycarbonate spike accessory allowing installation into lawn and garden applications
- Polycarbonate front trim provides excellent corrosion resistance
- Bracket design allows installation without removing mounting bracket
- Breather gland acts to minimise risk of water ingress
- PIR versions complete with manual override facility

| GENERAL INFORMATION | |
|-------------------------|--------------|
| Wattage | 20W |
| Lumens Delivered | 2200lm |
| Lm/W | 112lm/W |
| Beam Angle | 100 |
| CRI | 80 |
| CCT | 4000K |
| Input | 220/240V |
| Operating Temp | -15°C - 40°C |
| SDCM | 6 |
| Energy efficiency class | D |

| TECHNICAL INFORMATION | |
|--------------------------------|-------------|
| Light Source | LED |
| Colour / Finish | Black |
| IP Rating | IP65 |
| Class Protection | 1 |
| Internal / External | External |
| Surface / Recessed / Suspended | Surface |
| Lumen Depreciation | L80 69,000h |
| Warranty (Years) | 5 |
| CE Mark | Yes |
| Height | 153 mm |

