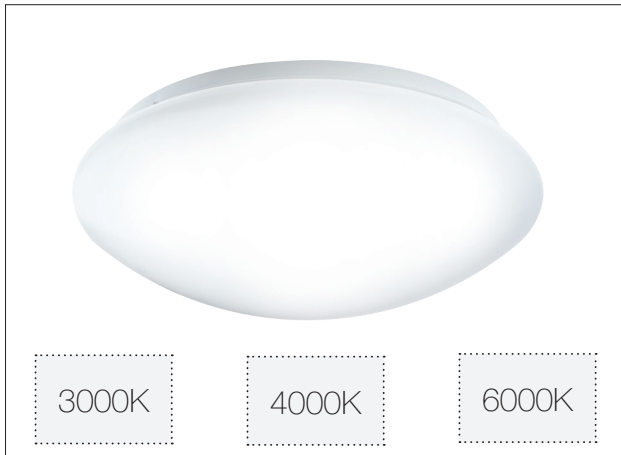


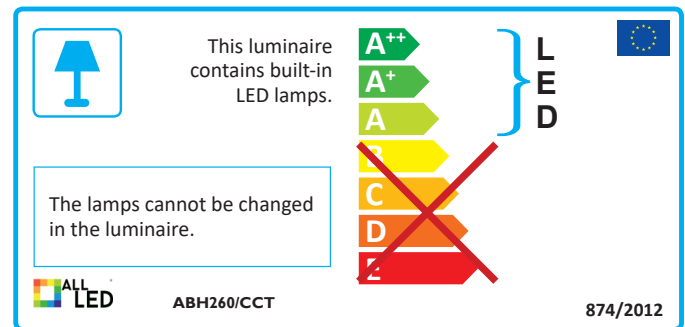
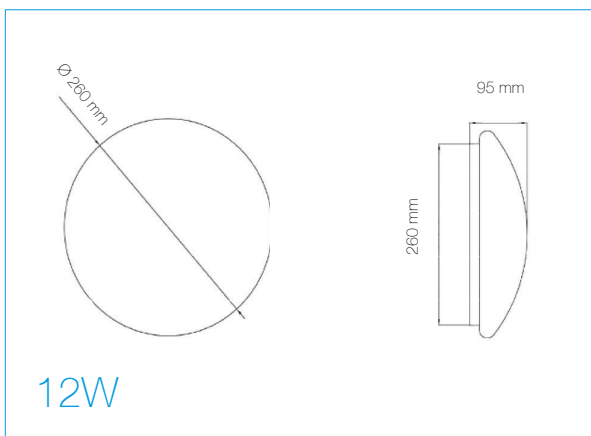
TECHNICAL DATASHEET

ABH260/CCT
12W TRI-COLOUR TEMPERATURE ADJUSTABLE BULKHEAD



PRODUCT FEATURES

- Easy Installation
- Large Cable Entry
- Loop Terminal
- Integrated Colour Temperature Adjustable Switch



12 kWh/1000h

PRODUCT CODE	ABH260/CCT
Consumption	12W
Lumens	≤850 lm
Colour Temperature	3000K, 4000K, 6000K
Beam Angle	120°
CRI	>80
IP	IP44
Lifetime (Hours to Im70)	20,000 h
Operating Temperature	-20°C ~ +35°C
Voltage	220-240 V AC